



ARP-3821AX-AMA (Wall Mount 2)

Adjustable Height Wall Mount 21.5-inch Capacitive Touch Screen Operator Workstation (Wall Mount 2)

Features

- 21.5" LCD, 1920 x 1080 Resolution
- Projected Capacitive Touch Screen
- Intel Celeron J1900 @ 1.99GHz / Atom E3845 @ 1.91GHz CPU; Intel i7-6600U CPU
- Up to 8GB DDR3 / Up to 16GB DDR4 SO-DIMM
- Stainless Steel Fully Closed Enclosure
- Meets NEMA 4X / IP66 Protection Requirements
- Adjustable Height Wall Mount Mounting Brackets Included
- Waterproof Keyboard and Pointing Device
- Three Keyboard Options
- ThinManager Ready Version Available
- Cables for 24V DC Input and Gigabit Ethernet (RJ45)

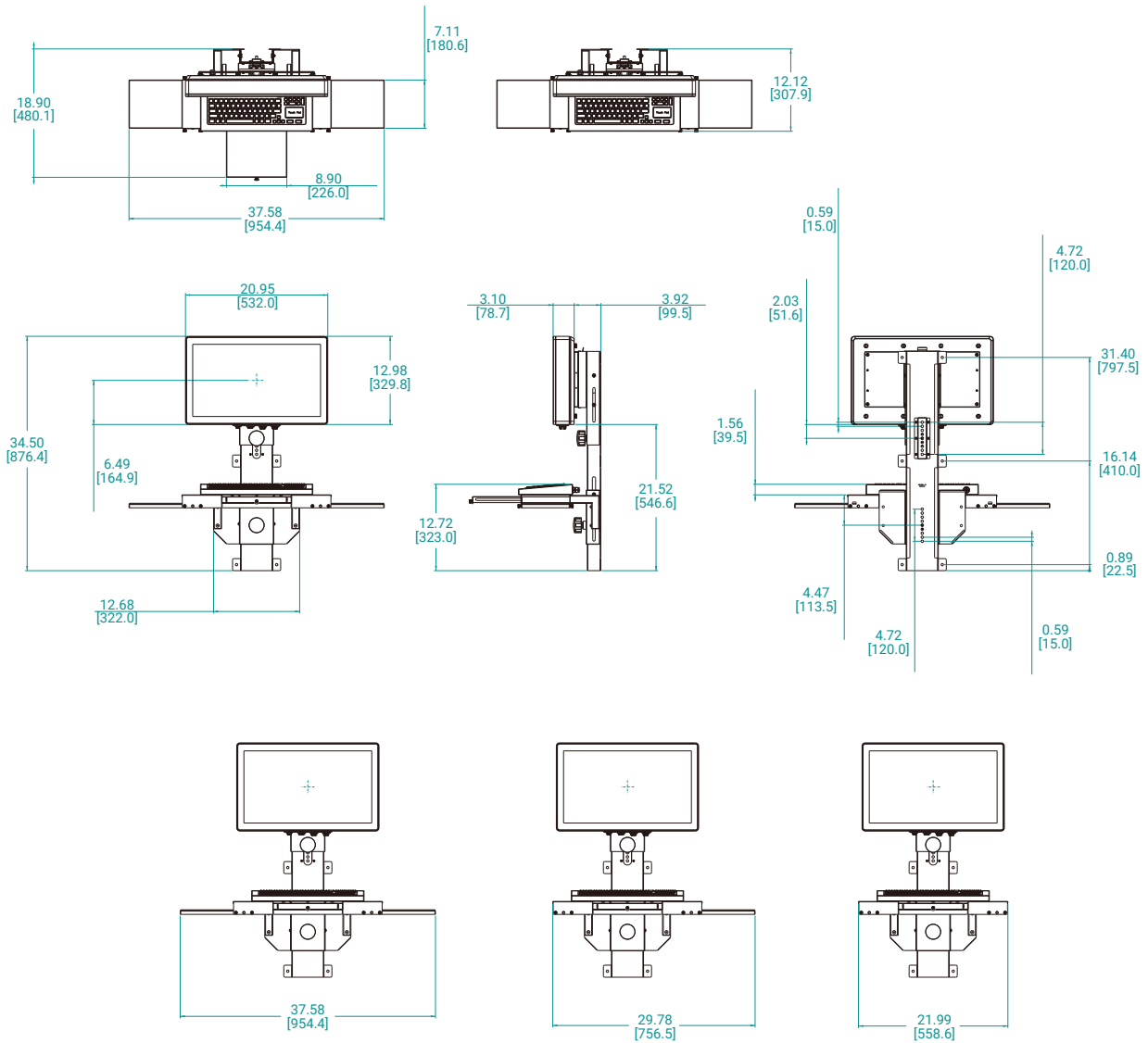
Specifications

| Model Name | ARP-3821AX-AMA (Wall Mount 2) | |
|------------------------------------|--|-------------------------------------|
| | E01 | H01 |
| LCD Display | | |
| Display Size (Diagonal) | 21.5 inch | 21.5 inch |
| Max Resolution | 1920 x 1080 | 1920 x 1080 |
| Backlight Lifetime (Hours) | 50,000 hours | 50,000 hours |
| Visual Characteristics | | |
| Colors | 16.7 million | 16.7 million |
| Aspect Ratio | 16:9 | 16:9 |
| Viewing Angle (V/H) | 178° / 178° | 178° / 178° |
| Contrast Ratio | 1000:1 | 1000:1 |
| Brightness | 250 nits | 250 nits |
| Touchscreen | | |
| Technology | Projected Capacitive | Projected Capacitive |
| Interface | USB | USB |
| Driver | Windows 7, Windows 10 | Windows 10 |
| System | | |
| CPU | Intel Celeron J1900 @ 1.99GHz / Atom E3845 @ 1.91GHz CPU | Intel i7-6600U CPU |
| Chipset | Bay Trail | Skylake |
| Memory | Up to 8GB DDR3 SO-DIMM | Up to 16GB DDR4 SO-DIMM |
| Video Controller | Intel Gen7 Intel Graphics DX 11, OGL3.2 | Intel HD Graphics 520 |
| External Video Output | N/A | N/A |
| Storage Option | 2.5" SSD | 2.5" SSD |
| CFast | Optional | Optional |
| Keyboard | Membrane or Silicon Rubber Keyboard | Membrane or Silicon Rubber Keyboard |
| Mouse | Pointing Device or Touch Pad | Pointing Device or Touch Pad |
| Audio | N/A | N/A |
| Watchdog Timer | Programmable 1 - 255 sec | Programmable 1 - 255 sec |
| Remote Boot | ThinManager Ready, PXE | N/A |
| Expansion Slot | N/A | N/A |
| I/O Communication | | |
| USB Port | 1x USB 2.0 | 1x USB 2.0 |
| Serial Port | N/A | N/A |
| IEEE 1394 | N/A | N/A |
| LAN / Wi-Fi | 1 x Gigabit | 1 x Gigabit |
| Parallel | N/A | N/A |
| GPIO | N/A | N/A |
| OS Support | | |
| OS Support | Windows 7, Windows 10 | Windows 10 |
| Power/Thermal Specs | | |
| Power Requirement (Max) | 24VDC / 1.80A | 24VDC / 2.40A |
| Power Consumption (Max) | 43W | 56W |
| Recommended Power Supply | 62 W | 80 W |
| Heat Dissipation | 147 BTU/hr | 192 BTU/hr |
| Physical Information | | |
| Mounting | Wall Mount (Adjustable Height) | Wall Mount (Adjustable Height) |
| Net Weight | -- | -- |
| Dimension (W x H x D) | -- | -- |
| Recommended Cutout Dimension (WxH) | N/A | N/A |
| Environmental | | |
| Operation Temperature | 0-35°C (32-95°F) | 0-35°C (32-95°F) |
| Storage Temperature | -20-60°C (-4-140°F) | -20-60°C (-4-140°F) |
| Humidity | 0-95% | 0-95% |
| Rating | Meets NEMA 4X / IP65 | Meets NEMA 4X / IP65 |
| Certification | N/A | N/A |

Dimension Drawing

Model Name: ARP-3821AX-AMA-E01 (Wall Mount 2)

Size Unit: inch(mm)



Ordering Information

This is one of the illustrations showing ARP-3821AX can be used in the workstation setup. Please call ARISTA sales for various workstation mounting options.